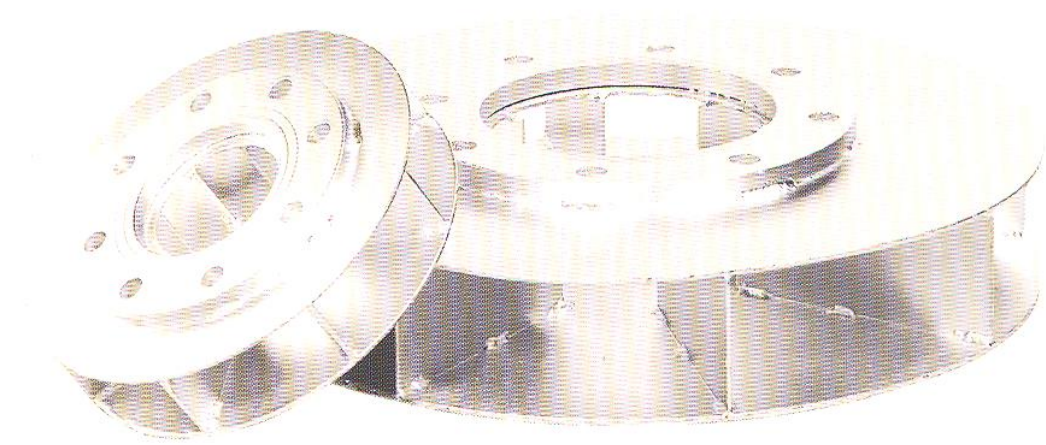


# VORTEX INHIBITOR



**Vortex inhibitors are provided for attachment to pump suction pipes installed in water storage tanks.**

Vortex inhibitors are installed to ensure the pump is fully primed at all times during operation. This prevents the pump from being damaged and ensures maximum delivery is achieved.

With vortex inhibitors the minimum water level is permitted to fall to the underside of the inhibitor disc, without risk of creating a vortex and allowing the pump to draw air. This enables greater effective capacity of storage tanks and thereby savings cost. (Refer to BS5306 Part 2 for low water level clearances without vortex inhibitor)

Available in a range of sizes to suit all standard applications.

Flange connections BS 10 Table E

Material : Mild Steel Galvanised

Model No.	Size	D mm	L mm
SPR001-MS-065-CH	65	190	61
SPR001-MS-080-CH	80	230	71
SPR001-MS-100-CH	100	305	83
SPR001-MS-150-CH	150	455	106
SPR001-MS-200-CH	200	610	131
SPR001-MS-250-CH	250	760	156
SPR001-MS-300-CH	300	915	181

