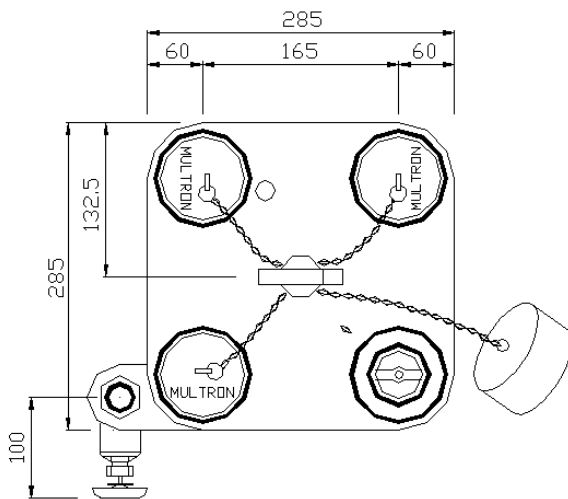


**2-WAYS BREECHING INLET**



**4-WAYS BREECHING INLET**

**MULTRON** 2-Ways & 4-Ways Breaching Inlets are provided at the Dry or Wet Riser Mains of 4" (100mm) or 6" (150mm) fitted at ground level to provide easy access for the connection to water supply.

In conjunction with the Fire Protection System, the Fire Brigade is able to charge-up the System via the Breaching Inlets during emergencies.

The Products shall generally comply with the following Standards with modification to suit Vietnam requirement :-

- ❖ **BS 5041 : Part 3 : 1975**  
Specification for Inlet Breaching for Dry Riser inlets
- ❖ **BS 4504 : Sect 3.3 : 1989**  
Specification for Copper Alloy and composite flanges.
- ❖ **BS 336 : 1989**  
Specification for Fire Hose Coupling & ancillary equipment

Type	Model	Body Material	Inlet Connectors	Outlet Connectors	Blank Cap	Hydraulic Pressure Test
2 - Ways Breaching	DC707-1V	Spheroidal Graphite Iron to BS 2789	Copper Alloy Check Valve with Alu. Alloy Coupling to Vietnam requirement	Flange to Table 16/21 of BS 4504	Rubber	20 Bar
4 - Ways Breaching	DC708-1V	Spheroidal Graphite Iron to BS 2789	Copper Alloy Check Valve with Alu. Alloy Coupling to Vietnam requirement	Flange to Table 16/21 of BS 4504	Rubber	20 Bar

*Due to constant improvement in our products, we reserved the right to modify or withdraw any product or service without prior notice.*

Distributed By :-

[www.minhbao.com.vn](http://www.minhbao.com.vn)



CERT NO.: 2001.L0321  
ISO 9001 : 2008